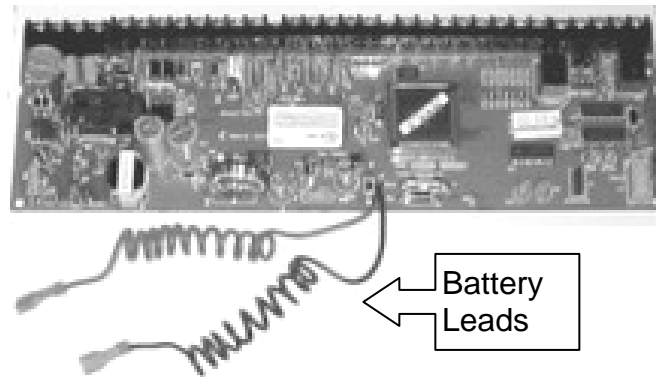


PO Box 449  
Ellendale, TN 38029

## Back-up Battery Replacement Instructions

The back-up battery for your alarm system is located inside your control panel along with all of the wiring for your alarm system. The control panel is a metal box that may be mounted in a closet, basement, or utility room. Some alarm system control panels require a key to unlock and open them.

Inside the control panel you will find a back-up battery connected to a circuit board similar to the one pictured here. The back-up battery is connected to the circuit board via the battery leads (a red wire and a black wire).



The back-up battery has color coded terminals for each of these wires. These terminals may have plastic safety covers on them that will need to be removed. The ends of the battery leads fit snugly and connect securely to the battery terminals.

Remove your old back-up battery. On your new back-up battery, connect the red battery lead wire to the red terminal and the black battery lead wire to the black terminal.

You can contact our office at 901.377.4991 if you have any questions about back-up battery replacement.

Batteries are considered Household Hazardous Waste and should only be disposed of at approved facilities. These are some options for proper disposal of your old battery:

- Bring or ship the battery to our office and we will ensure it is disposed of properly. Our physical and shipping address is 7929 Hwy 70, suite 1, Bartlett, TN, 38133.
- If you are located in Shelby County you can take the battery to the Household Hazardous Waste facility located at 6305 Haley Road (off Farm Road, between Walnut Grove and Mullins Station). The hours of operation are 8:30 am to 12:30 pm, Tuesdays and Saturdays only.
- If you are located outside of Shelby County, you can contact your local waste management company or government office for information about Household Hazardous Waste facilities in your area.
- Some electronics or home improvement retail stores may offer disposal of old batteries.